



The Model 4006 is a 4 digit (-1999 to 9999) LED high quality indicator, specifically designed for AC/DC high voltages (600V) or AC/DC high currents (up to 5A) measurements. The input terminals are of heavy duty type, and the housing is an industry standard DIN 48x96. Options include programmable analogue output & alarm set points up to 4 alarms. The display & analog output is rangeable from the front pushbuttons.

Selected options now feature 'Plug & Play' technology, allowing option boards to be ordered separately & field fitted when required.

Features

- Voltage inputs up to 600V, current inputs up to 5A
- 1/8 DIN enclosure (45 x 92 cut-out), UL 94 V-0 flame retardant, 147mm depth
- Front panel IP 65 / NEMA 4 / UL Type 4 rating, bezel 48 x 96 mm
- -1999 to 9999 display counts, 14.2mm bright red LED display
- Keypad lockout available at no extra charge
- Analogue output option with programmable zero & span
- Meets European EMC directive 89/336/EEC & Low Voltage directive 73/23/EEC
- 3 year guarantee

Options

3001-P	Two setpoints (solid-state relays)	3010	95-265V AC/DC power supply
3001-M	Two setpoints (electro-mechanical relays)	3012	Peak or valley (min or max) hold
3002	RS 485 serial interface	3013	RS 232 serial interface
3003	0 - 20mA / 4 - 20 mA analogue output	3017-P	3 setpoints (solid-state relays)
3004-P	One setpoint (solid-state relays)	3017-M	3 setpoints (electro-mechanical)
3004-M	One setpoint (electro-mechanical relays)	3018-P	4 setpoints (solid-state relays)
3006	Isolated outputs (order with 3002/3/7/13)	3018-M	4 setpoints (electro-mechanical)
3007	0 - 5V / 0 - 10V analogue output	3020	Ultra bright Red LED display
3008	12 / 24V galvanic isolated DC supply	3022	Vertical bar graph display
3009	Parallel BCD output	3025	Keypad lockout
		3026	Display hold

Specifications

Accuracy, linearity : 0.5% of F.S., ±1 count	Operating temp. range : -10 to +50°C
Internal resolution : 40000 counts	Storage temp. range : -40 to +80°C
Temp. coefficient : 20 ppm/°C typ.	Warm-up time : None required
AC measurement : Root mean square	Relays, electro-mech : 250VAC, 30VDC, 2A
Conversion rate : 6 per second	Relays, solid state : 400V AC/DC, 0.5A
Settling time : 1 second	Analog output accuracy : 0.1% of F.S., 12 bits
Self test time : 1 - 3 seconds	Current output load : 500 Ω maximum
Memory retention : Non-volatile operation	Voltage output load : 1 kΩ minimum
Option 3006 : 1500 V isolation rating	European CE directives : 89/336/EEC, 73/23/EEC

- NOTE :** For additional safety when measurement high currents, interposing relays are recommended.
NOTE : Most of the above options are factory fitted. Customer / field fitted options are available as 'plug-&-play' boards & software activated options. Contact factory for more information.
NOTE : Option 3009 cannot be ordered with any alarm options, or with option 3006, or with option 3022.

Input Ranges

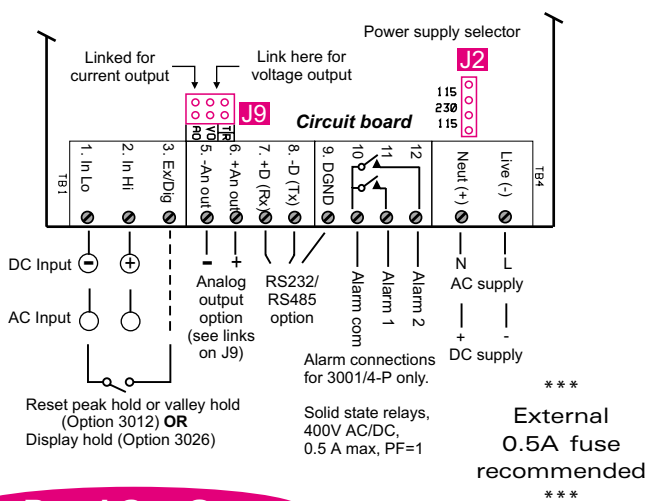
AC or DC measurements for 0-1A, 0-5A & voltage inputs up to 600V.
The input range must be specified at time of order as there are no user selectable input links.

Power Supply

STANDARD
115 / 230 VAC \pm 10% (standard), link selectable, 50/60Hz, 5VA typical
12VDC or 24VDC non-isolated on request, 5VA typical

OPTIONAL
12VDC isolated switch mode power supply option (Option 3008-12), 5VA typical
24VDC isolated switch mode power supply option (Option 3008-24), 5VA typical
95V-265V AC/DC switch mode power supply option (Option 3010), 5VA typical

Connections



Display & Keypad



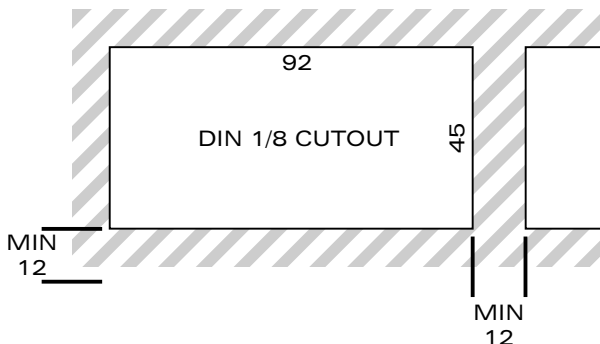
Alarm LEDs
(illuminate whenever relays are energised)

Menu
Up/
Change digit/
Change selection
Next digit/
side arrow
Enter / Reset

DIN 48 x 96 industrial strength single piece housing
Flame retardant ABS plastic, meets UL 94 V-0 rating
Front panel IP65 (with o-ring seal supplied as standard)

Dimensions in mm

Panel Cut-Out



Guarantee

This product is guaranteed against faulty workmanship or defective material, for a period of 3 (three) years from date of delivery by DPM.

DPM undertakes to replace without charge all defective equipment which is returned to it (transportation costs prepaid) during the period of guarantee, provided there is no evidence that the equipment has been abused or mishandled in any way.

DPM reserves the right to alter any specification without notice.

E-mail : info@dpm.co.za
Website : www.dpm.co.za



DISTRIBUTED BY: