

MLG-TDR 6 Series

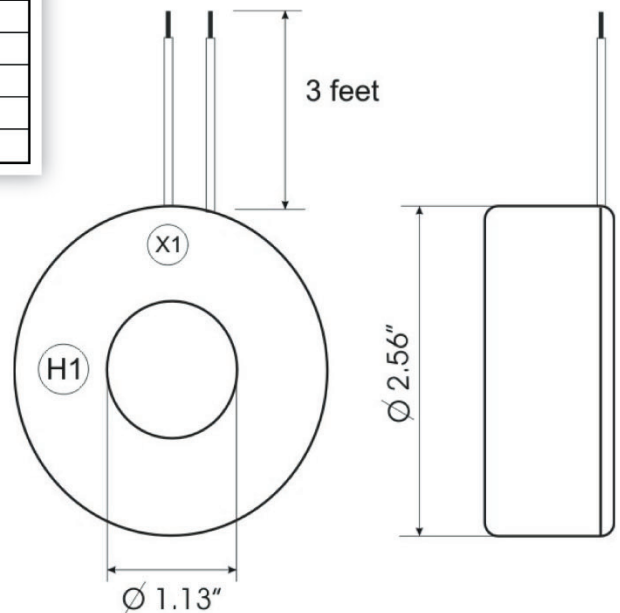
Solid-Core Current Transformers

SPECIFICATIONS

Description	Window Type current transformers with 1% and 2% accuracies
Secondary connections	16 AWG Wires, 3 feet in length
Primary Window	Busbar $\text{Ø}1.13''$
Case	Black Polycarbonate housing, self extinguishing UL94 VO B (130°C) and ultrasonically welded. IP50
Markings	Specifications label in grey polyester
Standards	ANSI C57.13 and applicable IEC 60044-1
Insulation Class	0, 6 kV / BIL 10 kV
Rated continuous Thermal	1, 2 I_n
Rated short term Thermal Current	$I_{th}=60 \cdot I_n$
Rated Frequency	60 Hz
Safety Factor	FS5
Thermal Class	B (130°C)



MLG-TDR 6 SERIES		
RATIO	ACCURACY % - BURDEN (VA)	SECONDARY WINDING RESISTANCE (Ω)
50/5 A	2% 1 VA	0.01
100/5 A	1% -2 VA	0.02
150/5 A	1% - 3.5 VA or 0.6B-01.1	0.03
200/5A	1% - 5.0 VA or 0.6B-0.2	0.04
300/5A	1% - 10.0 VA or 0.6B-0.2	0.05
400/5A	1% - 12.5 VA or 0.6B-0.5	0.07



Call Toll Free: 1-877-PQ-SOLNS (1-877-777-6567) or 303-805-5252 email: info@measurlogic.com