

The MLG-WCT-1700-5A Series provide precision measurement for sub-metering, controls and energy management without dismantling the main line. Ergonomically designed with secured latches and keying holes, this CT handles medium to high load while retaining compact size.



### FEATURES

- 2.0" x 3.5" window opening (ID)
- Double secured latches per side & keying holes
- Rigid housing case with UL 94V-0 durable plastic
- Ergonomically designed with no exposed metals
- 8-32 screw terminals (Type A)
- 6-ft 16AWG twisted black/white wire leads (Type B)

### APPLICATIONS

- Energy and sub-metering products
- Electrical load monitoring
- Network equipment
- Instruments and sensors
- Control systems
- Go GREEN initiatives

### SPECIFICATIONS

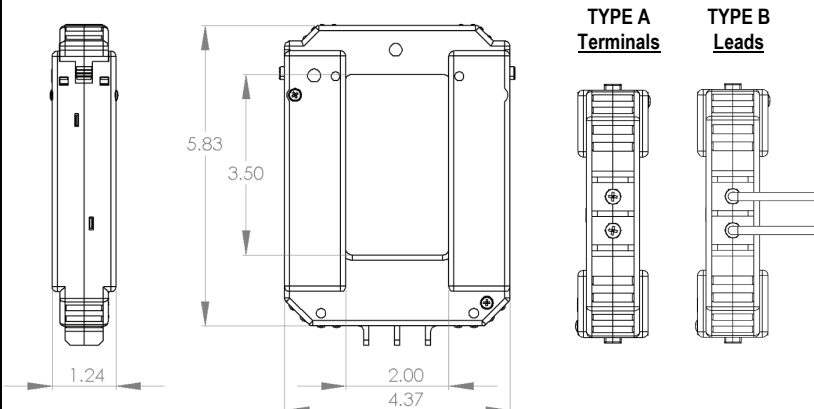
- Standard Input Current 200-1000A
- Frequency 50Hz — 400Hz
- Custom design Turns-Ratio available
- Standard accuracy 0.5 (Varied by models)
- Approximate weight 1.7Lbs
- ANSI C57.13 and C12.20 Standards

Specifications subject to change without notice

### STANDARD PART-NUMBERS

WATTCORE P/N	CURRENT RATIO	BURDEN (VA)	ACCURACY @ 60Hz
WC5-200-RA05	200:5	1.75	1.00
WC5-400-RA05	400:5	2.25	0.75
WC5-600-RA05	600:5	2.75	0.50
WC5-800-RA05	800:5	3.75	0.50
WC5-1000-RA05	1000:5	4.50	0.50

### DIMENSIONS (Inches)



#### CAUTION

Before installation, safety precautions must be followed by licensed professional. Never energize primary unless short circuited terminals or burden connected to secondary.



© 2013 Measurlogic Inc.