

The MLG-WCT-5500-5A Series provide precision measurement for sub-metering, controls and energy management without dismantling the main line. Ergonomically designed with secured latches and keying holes, this CT has the largest ID of the MLG-WCT Series making it suitable for high load apps.



### FEATURES

- 2.0" x 5.5" window opening (ID)
- Double secured latches per side and keying holes
- Rigid housing case with UL 94V-0 durable plastic
- Ergonomically designed with no exposed metals
- 8-32 screw terminals (TYPE A)
- 6-ft 16AWG twisted black/white wire leads (TYPE B)

### APPLICATIONS

- Energy and sub-metering products
- Electrical load monitoring
- Network equipment
- Instruments and sensors
- Control systems
- Go GREEN initiatives

### SPECIFICATIONS

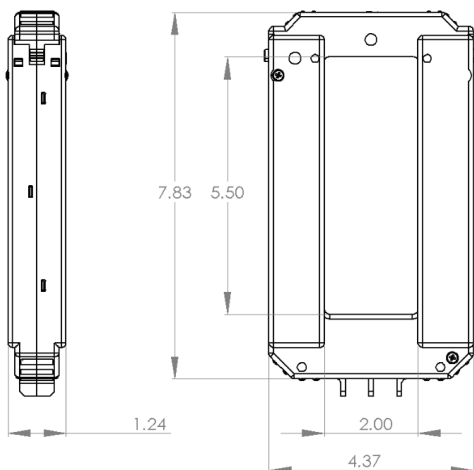
- Standard Input Current 300-2000A
- Frequency 50Hz — 400Hz
- Custom design Turns-Ratio available
- Standard accuracy 0.5
- Approximate weight 2.2Lbs
- ANSI C57.13 and C12.20 Standards

Specifications subject to change without notice

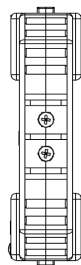
### STANDARD PART-NUMBERS

WATTCORE P/N	CURRENT RATIO	BURDEN (VA)	ACCURACY @ 60Hz
WC6-600-RA05	600:5	2.75	0.50
WC6-800-RA05	800:5	4.00	0.50
WC6-1200-RA05	1200:5	5.25	0.50
WC6-1600-RA05	1600:5	6.25	0.50
WC6-2000-RA05	2000:5	8.00	0.50

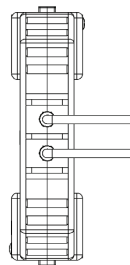
### DIMENSIONS (Inches)



**TYPE A**  
Terminals



**TYPE B**  
Leads



#### CAUTION

Before installation, safety precautions must be followed by licensed professional. Never energize primary unless short circuited terminals or burden connected to secondary.



© 2013 Measurlogic Inc.