



CVM-D41 DC mA

CVM-D41 DC mA, Digital multimeter DIN rail, 2 output relays

Code: CVMD41-001

- > Protocol: Modbus/RTU
- > Módulos: 6
- > IP: 54
- > Communications: RS-485
- > N° relays: 2
- > Digital inputs: 2
- > Analog output: 1 (20 mA)
- > System: DC (Shunt)
- > Measurement Range (V): $\pm 150 \dots 1500$ Vdc
- > Measurement Range (A): 50 ... 600 mV
- > Parameters: V/A/kW/kWh dc
- > Mounting: DIN Rail

Description

The **CVM-D41 DC** is a digital power analyzer for installing on a DIN rail. Its screens are operated using buttons to display different electrical parameters in a DC network of up to 1500 VDC, such as voltage, current, power and energy (A·h).

This analyzer has the following key features:

- DIN rail installation.
- DC voltage measurement up to 1500VDC CATIII
- Shunt current measurement
- 2 digital inputs + 2 relay outputs + 1 analogue output (0/4...20 mA) or (0 / 2 ... 10 Vdc), depending on the model
- LED status indicator
- RS-485 communications (Modbus/RTU)

Application

Measurement and management of installations with a DC power supply:

- Industrial Applications
- Electric vehicle charging points
- Self-supply systems
- Solar photovoltaic Installations
- HVAC
- Industrial process control



CVM-D41 DC mA

Digital instruments: Programmable DC measurement Central

Code: M56638.

Electrical safety, Contamination level/class	Pollution resistance 2
Standards	IEC 61000-4-2, IEC 61000-4-3, IEC 61000-4-4, IEC 61000-4-5, IEC 61000-4-6, IEC 61000-4-8, IEC 61000-4-11, IEC 61010-1, IEC 61326-1, IEC 61010-2-030
User interface	
Display type	LCD 5 digits
Digital inputs	
Input/output insulation	4000 V ~
Quantity	2
Type	Potential-free contact
Maximum short-circuit current	3.3 mA dc
Maximum open circuit voltage	17 V dc
Analogue outputs	
Quantity	1
Linearity	0.5 %
Current mode, nominal range	0 ... 20 mA, 4 ... 20 mA, 4-12-20 mA
Current mode: maximum load resistance	350 Ω
Maximum internal voltage	17 V dc
Digital relay outputs	
Quantity	2
Maximum current	2.5 A
Electrical life	1 x 10 ⁵ (250 V~ / 5A)
Maximum switching capacity	625 VA
Measurement accuracy	
Phase current measurement	Class 0.5
Active energy measurement (kWh)	Class 1
Active power measurement (kW)	Class 1
Phase voltage measurement	Class 0.5



CVM-D41 DC mA

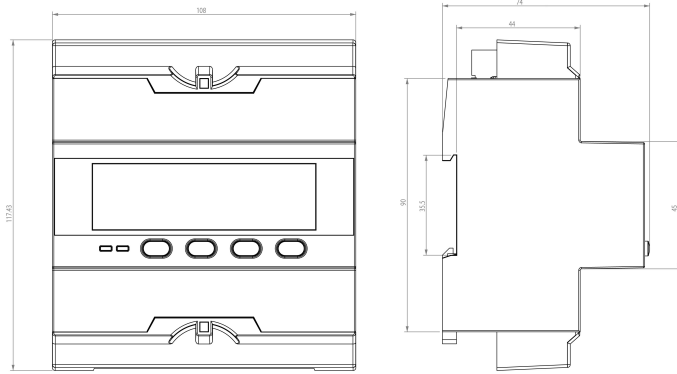
Digital instruments: Programmable DC measurement Central

Code: M56638.

CVM-D41 DC
Programmable DC measurement device

CODE	TYPE	System	Measurement Range (V)	Measurement Range (A)	N° relays	Digital inputs	Analog output	Módulos	Protocol
M56638.	CVM-D41 DC mA	DC (Shunt)	± 150 / 300 / 600 / 1000 / 1500 Vdc	50 / 60 / 75 / 100 / 150 / 200 / 250 / 300 / 400 / 600 mV	2	2	1 (20 mA)	6	Modbus/RTU
M566380040000	CVM-D41 DC mA	DC (Shunt)	± 150 / 300 / 600 / 1000 / 1500 Vdc	50 / 60 / 75 / 100 / 150 / 200 / 250 / 300 / 400 / 600 mV	2	2	1 (20 mA)	6	Modbus/RTU
M5663A.	CVM-D41 DC V	DC (Shunt)	± 150 / 300 / 600 / 1000 / 1500 Vdc	50 / 60 / 75 / 100 / 150 / 200 / 250 / 300 / 400 / 600 mV	2	2	1 (0 ... 10V)	6	Modbus/RTU
M5663A0040000	CVM-D41 DC V	DC (Shunt)	± 150 / 300 / 600 / 1000 / 1500 Vdc	50 / 60 / 75 / 100 / 150 / 200 / 250 / 300 / 400 / 600 mV	2	2	1 (0 ... 10V)	6	Modbus/RTU

Dimensions



Connections

