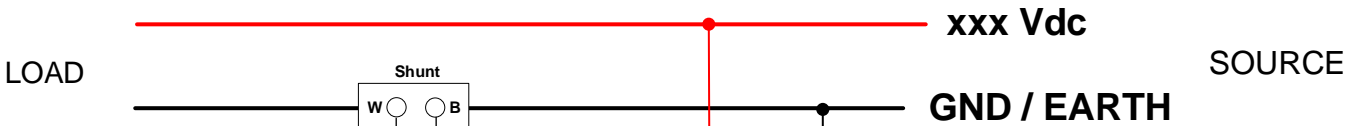


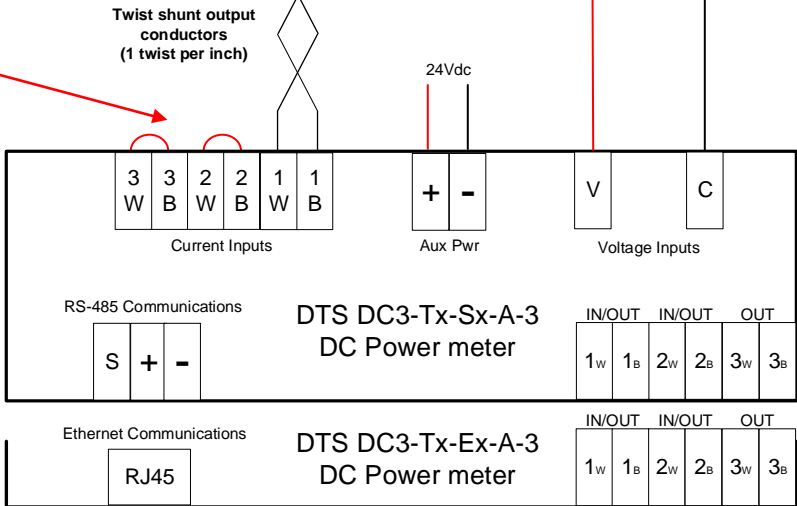
Revisions			
Rev.	Description	Date	Initial



Use Input 1 if only one load is to be measured  
 (short W-B terminals together on Inputs 2 and 3 if not used)

**Sign of Readings**

Voltage	+ve
Current	+ve
Power	+ve
Energy	+ve



Drawing: Postive DC Voltage and shunt Current connections to DTS DC meter		
Project: Generic – DTS DC with shunt connection diagram		
Date: 09/01/2020	Drawn By: JDR	
Drawing No: M090120A	Rev: 1.0	Sheet: 1 / 1



Measurlogic Inc.  
 7268 S. Tucson Way  
 Centennial, CO, 80112 USA  
 1 877 777 6567 www.measurlogic.com