

The **MLG-HE4** Series of split core Hall Effect current sensors are suited for non-contact measurement of DC currents

## Features:

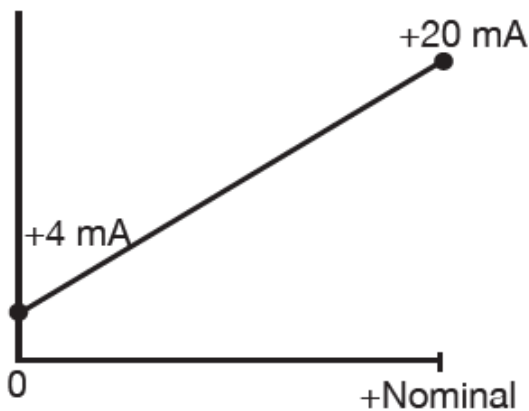
- **Split core** for easy measurement of existing systems
- **500A, 800A and 1000A** models available
- **1.57" (40mm) aperture** allows for large diameter current conductors
- **Uni-directional** and **bi-directional current** models
- **Pluggable** screw terminals
- Panel mountable
- **+15Vdc** supply
- **4-20mA** output
- Open loop current sensor
- 1% accuracy



## Model Numbers:

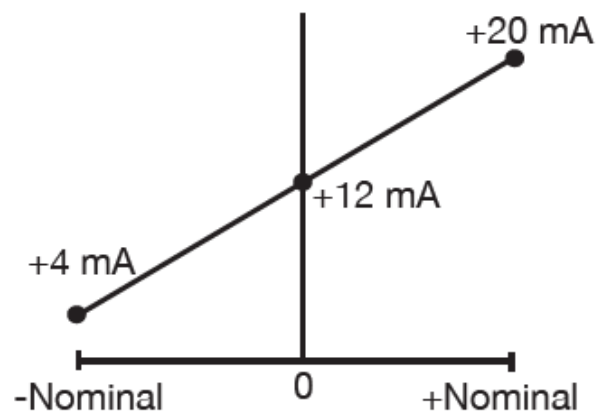
Measurlogic Part Number	Description	Amperage Rating (A)	Current direction
<b>CTRF-0980A</b>	MLG-HE4-3-420-U-SP	500A	Uni-directional
<b>CTRF-0984A</b>	MLG-HE4-4-420-U-SP	800A	
<b>CTRF-0988A</b>	MLG-HE4-5-420-U-SP	1000A	
<b>CTRF-0982A</b>	MLG-HE4-3-420-B-SP	500A	Bi-directional
<b>CTRF-0986A</b>	MLG-HE4-4-420-B-SP	800A	
<b>CTRF-0990A</b>	MLG-HE4-5-420-B-SP	1000A	

## Input / Output Characteristics:



INPUT (Adc only)

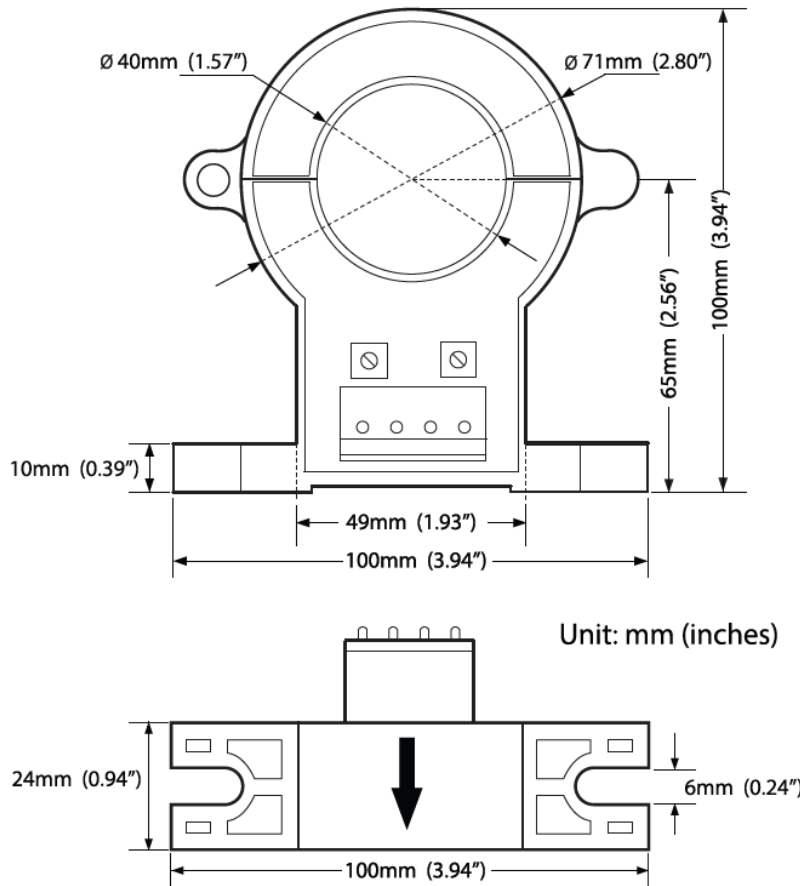
**Uni-Directional**



INPUT (Adc only)

**Bi-Directional**

## Mechanical Dimensions: mm (inches)



## Wiring connections:



WIRING	
+	+15Vdc
-	-15Vdc
M	Signal output
⊥	Common

## Technical Specifications

Parameter	Description
Rated primary Current	500A, 800A and 1000A
Rated Output	4-20mA
Power Supply	+/- 15Vdc Required, 35mA maximum
Temperatures	Storage: -22°F to 221°F (-30°C - 105°C) Operating: 14°F to 185°F (-10°C - 85°C)
Offset	None
UL Maximum Voltage	600Vac on bare conductor
Operating Frequency	DC
Certifications	61010-1, EN 60044-1
Accuracy	+/- 1% Class per IEC 61869-2
Weight	0.70lbs (0.32 kg)