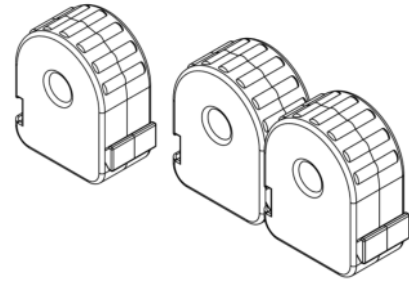


MLG-WST-0200 SERIES

Solid-Core Current Transformers with 333mV output

The MLG-WST-0200 is the smallest CT in the MLG-WST Series. It is ideal for light loads, compact spaces and yet very accurate. Industry's first with CT-2-CT cascading attachment feature, this mechanism declutters wire pathways inside small panels and enclosures. The bump lozenge ID shape allows for easy handling with gloves during installation without slipping. Install with confidence from "A Made in America" design, quality and assembly!



MECHANICAL

Window Size	Ø0.20" [Ø5.08mm]
Wire Leads	2 ft [610mm] 22AWG black/white twisted UL1015 105°C 600V
Operating Temperature	-15°C to 80°C (90% Rel. Hum.)
Altitude	6,600 ft [2012m]
Weight	0.10Lb [45.4g]
Feature	side attachment provision (no tool)
Ergonomic	Lozenge ID for glove-friendly handling

ELECTRICAL

Primary Input (max.)	30A, AC Sine-wave 50/60Hz
Secondary Output	333mVAC, full-scale
Accuracy (typical)	0.2%
Linearity	10% - 120%
Polarity	White (X1—Hi), Black (X2—Low)
Phase Direction	Arrow points toward Load
Frequency	40-400Hz

REGULATORY STANDARDS

Voltage Rating	600V AC Insulation
Construction	UL94V-0 flame retardant plastic CATIII, Pollution Degree 3
ETL listing #	5017504
Standards	UL2808, ANSI C57.13 & IEC61010-1 CSA C22.2 61010-1-12 & CE Mark

INSTALLATION

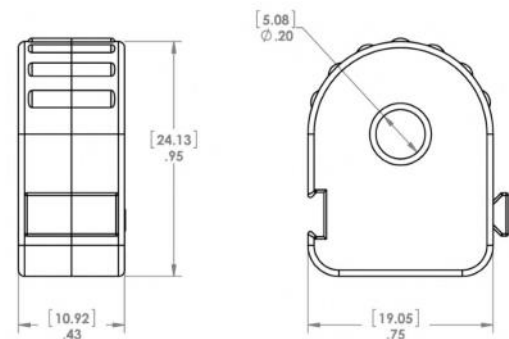
For indoor use only. Turn off power source before working on CTs. Observe X1X2 polarity and read manufacturer's instructions of the equipment you are connecting to CTs for proper installation guide. Professional installation is required for safe handling and operation.

MODELS

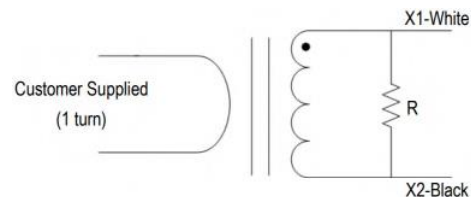
MODEL	RATIO*	ACCURACY
MLG-WST-0200-010:333	10A : 333mV	0.2
MLG-WST-0200-015:333	15A : 333mV	0.2
MLG-WST-0200-020:333	20A : 333mV	0.2
MLG-WST-0200-030:333	30A : 333mV	0.2

* Optional: Custom ratios & 1Vac output available

DIMENSIONS [mm]



SCHEMATIC



De-energize source before installation! Observe local and national electrical codes for safety and compliance. Licensed electricians required. Use precautions when working with electricity!