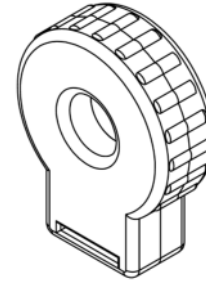


# MLG-WST-0550 SERIES

## Solid-Core Current Transformers with 333mV output



The MLG-WST-0550 is designed for light to medium load applications. It's a practical choice for many applications due to its 1/2" opening. It has a rigid thermoplastic sealed case suitable for commercial and industrial environment. The bump lozenge ID shape allows for easy handling with gloves during installation without slipping. Install with confidence from "A Made in America" design, quality and assembly!



### MECHANICAL

Window Size	∅0.55" [∅13.97mm]
Wire Leads	2 ft [610mm] 22AWG black/white twisted UL1015 105°C 600V
Operating Temperature	-15°C to 80°C (90% Rel. Hum.)
Altitude	6,600 ft [2012m]
Weight	0.15Lb [68g]
Feature	slot provision for securing CT
Ergonomic	Lozenge ID for glove-friendly handling

### ELECTRICAL

Primary Input (max.)	100A, AC Sine-wave 50/60Hz
Secondary Output	333mVAC, full-scale
Accuracy (typical)	0.2%
Linearity	10% - 120%
Polarity	White (X1—Hi), Black (X2—Low)
Phase Direction	Arrow points toward Load
Frequency	40-400Hz

### REGULATORY STANDARDS

Voltage Rating	600V AC Insulation
Construction	UL94V-0 flame retardant plastic CATIII, Pollution Degree 3
ETL listing #	5017504
Standards	UL2808, ANSI C57.13 & IEC61010-1 CSA C22.2 61010-1-12 & CE Mark

### INSTALLATION

For indoor use only. Turn off power source before working on CTs. Observe X1X2 polarity and read manufacturer's instructions of the equipment you are connecting to CTs for proper installation guide. Professional installation is required for safe handling and operation.

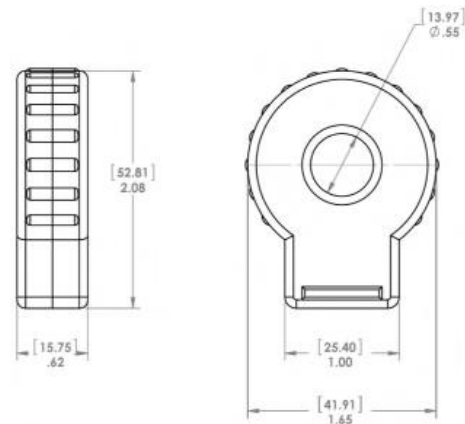
MEASURLOGIC INC | AC & DC Revenue Grade Electric sub-meters  
7268 S. Tucson Way  
Centennial, CO 80112 (USA)  
303-805-5252 | [sales@measurlogic.com](mailto:sales@measurlogic.com) | [www.measurlogic.com](http://www.measurlogic.com)

### MODELS

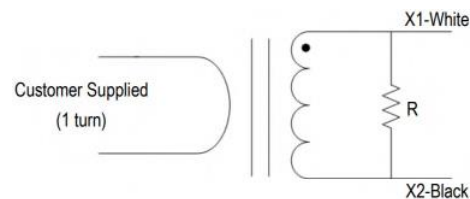
MODEL	RATIO*	ACCURACY
MLG-WST-0550-060:333	60A : 333mV	0.2
MLG-WST-0550-080:333	80A : 333mV	0.2
MLG-WST-0550-100:333	100A : 333mV	0.2

\* Optional: Custom ratios & 1Vac output available

### DIMENSIONS [mm]



### SCHEMATIC



De-energize source before installation! Observe local and national electrical codes for safety and compliance. Licensed electricians required. Use precautions when working with electricity!