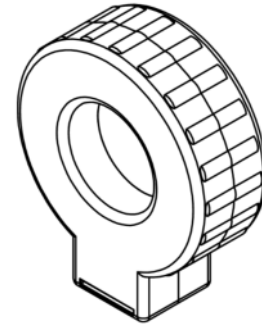


MLG-WST-1500 SERIES

Solid-Core Current Transformers with 333mV output



The MLG-WST-1500 Series solid core CT is designed for projects requiring medium to high primary load current. Similar to all of our MLG-WST Series Solid core CTs, accuracy and phase-shift are the best in the industry. The durability & rugged design of the MLG-WST-1500 has a rigid thermoplastic sealed case suitable for industrial environments. The bump lozenge ID shape allows for easy handling with gloves during installation without slipping. Install with confidence from a made in America design, quality, and assembly!



MECHANICAL

Window Aperture	Ø1.5" [Ø38.1mm]
Wire Leads	6ft [1.8m] 18AWG black/white twisted UL1015 105°C 600V
Operating Temperature	-15°C to 80°C (90% Rel. Hum.)
Altitude	6,600ft [2012m]
Weight	0.55Lb [249.5g]
Feature	Slot provision for securing CT
Ergonomic	Lozenge ID for glove-friendly handling



MODELS

MODEL	RATIO*	ACCURACY
MLG-WST-1500-100:333	100A : 333mV	0.2
MLG-WST-1500-200:333	200A : 333mV	0.2
MLG-WST-1500-400:333	400A : 333mV	0.2
MLG-WST-1500-600:333	600A : 333mV	0.2

*Optional: Custom ratios & 1Vac output available

ELECTRICAL

Primary Input (max.)	600A, AC Sine-wave 50/60Hz
Secondary Output	333mVAC, full-scale
Accuracy (typical)	0.2%
Linearity	10% - 120%
Polarity	White (X1—Hi), Black (X2—Low)
phase Direction	Arrow points toward Load
Frequency	40-400Hz

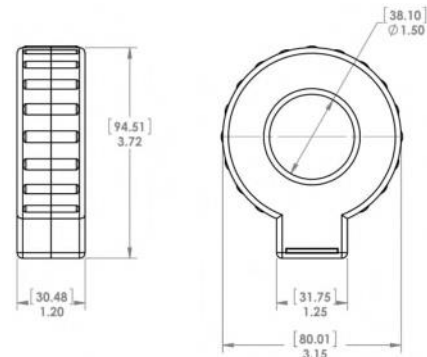
REGULATORY STANDARDS

Voltage Rating	600V AC, BIL 10KV AC Full-wave
Construction	UL94V-0 flame retardant plastic, CATIV Double insulation, Pollution Degree 3
ETL listing #	5017504
Standards	UL2808, ANSI C57.13 & IEC61010-1 CSA C22.2 61010-1-12 & CE Mark

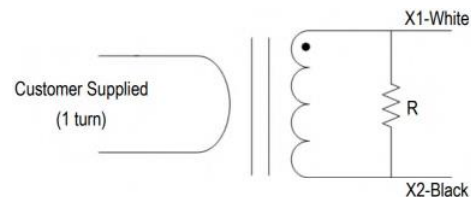
INSTALLATION

For indoor use only. Turn off power source before working on CTs. Observe X1X2 polarity and read manufacturer's instructions of the equipment you are connecting to CTs for proper installation guide. Professional installation is required for safe handling and operation

DIMENSIONS [mm]



SCHEMATIC



De-energize source before installation! Observe local and national electrical codes for safety and compliance. Licensed electricians required. Use precautions when working with electricity!

MEASURLOGIC INC | AC & DC Revenue Grade Electric sub-meters
7268 S. Tucson Way
Centennial, CO 80112 (USA)
303-805-5252 | sales@measurlogic.com | www.measurlogic.com