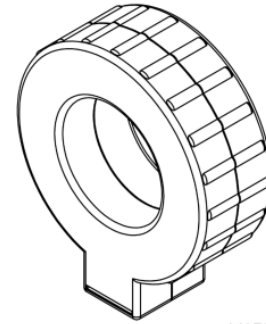


MLG-WST-2500 SERIES

Solid-Core Current Transformers with 333mV output



The MLG-WST-2500 is designed for high load applications with its 2.5" aperture accommodating large primary conductors. It has a rigid thermoplastic sealed case suitable for commercial and industrial environment. The bump lozenge ID shape allows for easy handling with gloves during installation without slipping. Install with confidence from "A Made in America" design, quality and assembly!



MECHANICAL

Window Size	Ø2.5" [Ø63.5mm]
Wire Leads	2 ft [610mm] 22AWG black/white twisted UL1015 105°C 600V
Operating Temperature	-15°C to 80°C (90% Rel. Hum.)
Altitude	6,600 ft [2012m]
Weight	2.85Lb [1.29kg]
Feature	slot provision for securing CT
Ergonomic	Lozenge ID for glove-friendly handling

ELECTRICAL

Primary Input (max.)	1200A, AC Sine-wave 50/60Hz
Secondary Output	333mVAC, full-scale
Accuracy (typical)	0.2%
Linearity	10% - 120%
Polarity	White (X1—Hi), Black (X2—Low)
Phase Direction	Arrow points toward Load
Frequency	40-400Hz

REGULATORY STANDARDS

Voltage Rating	600V AC Insulation
Construction	UL94V-0 flame retardant plastic CATIII, Pollution Degree 3
ETL listing #	5017504
Standards	UL2808, ANSI C57.13 & IEC61010-1 CSA C22.2 61010-1-12 & CE Mark

INSTALLATION

For indoor use only. Turn off power source before working on CTs. Observe X1X2 polarity and read manufacturer's instructions of the equipment you are connecting to CTs for proper installation guide. Professional installation is required for safe handling and operation.

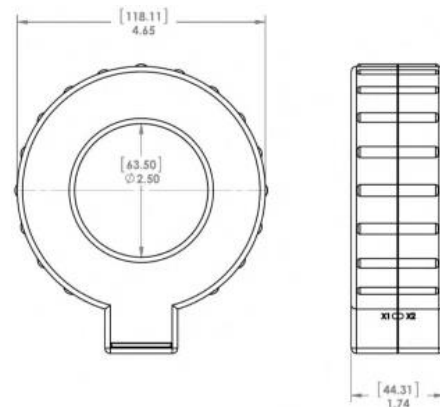
MEASURLOGIC INC | AC & DC Revenue Grade Electric sub-meters
7268 S. Tucson Way
Centennial, CO 80112 (USA)
303-805-5252 | sales@measurlogic.com | www.measurlogic.com

MODELS

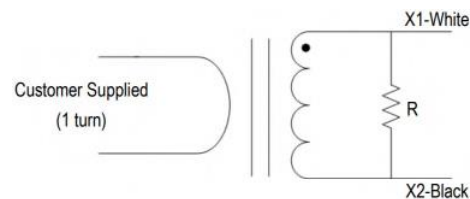
MODEL	RATIO*	ACCURACY
MLG-WST-2500-400:333	400A : 333mV	0.2
MLG-WST-2500-600:333	600A : 333mV	0.2
MLG-WST-2500-800:333	800A : 333mV	0.2
MLG-WST-2500-1200:333	1200A : 333mV	0.2

* Optional: Custom ratios & 1Vac output available

DIMENSIONS [mm]



SCHEMATIC



DANGER
De-energize source before installation! Observe local and national electrical codes for safety and compliance. Licensed electricians required. Use precautions when working with electricity!