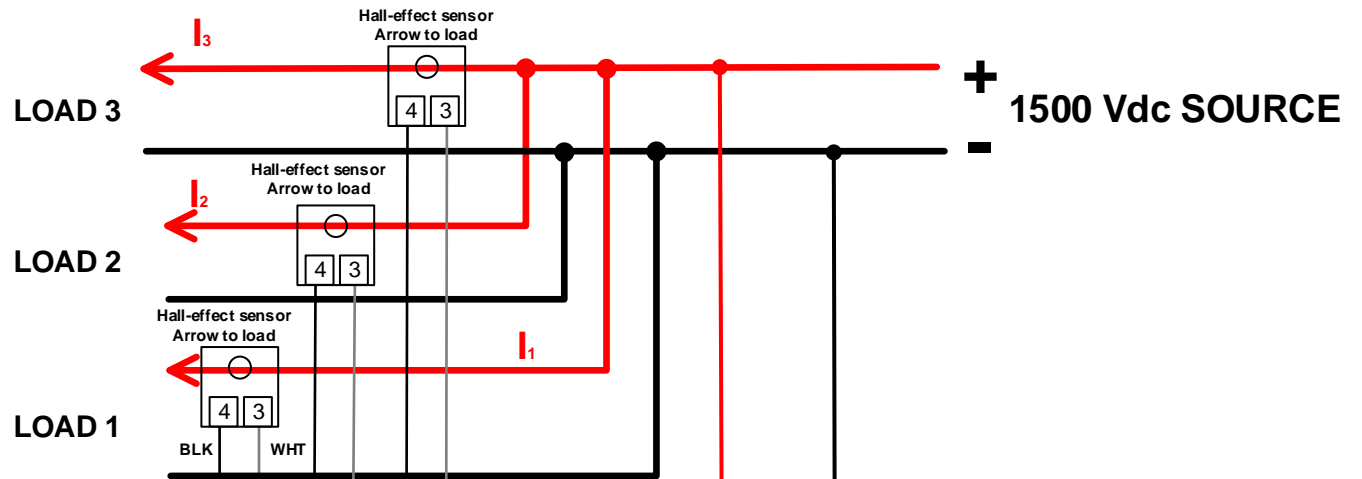


Revisions			
Rev.	Description	Date	Initial

Use Input 1 if only one load is to be measured
(short W-B terminals together on Inputs 2 and 3 if not used)

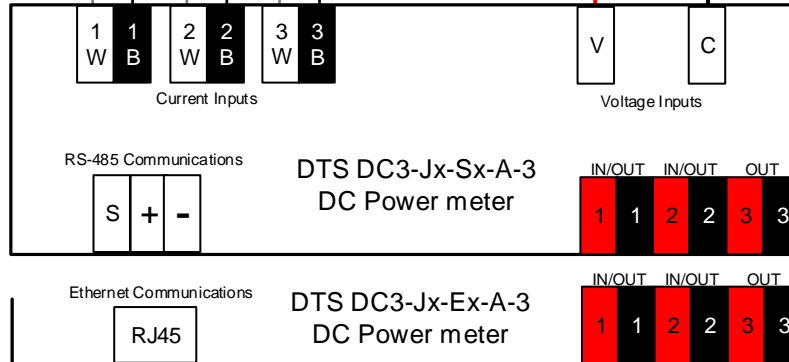


Sign of Readings

For direction of current as shown

Voltage	+ve
Current	+ve
Power	+ve
Energy	+ve

CCBL-180 / 182
(Same for Ch 2 & 3)
2 pin plug



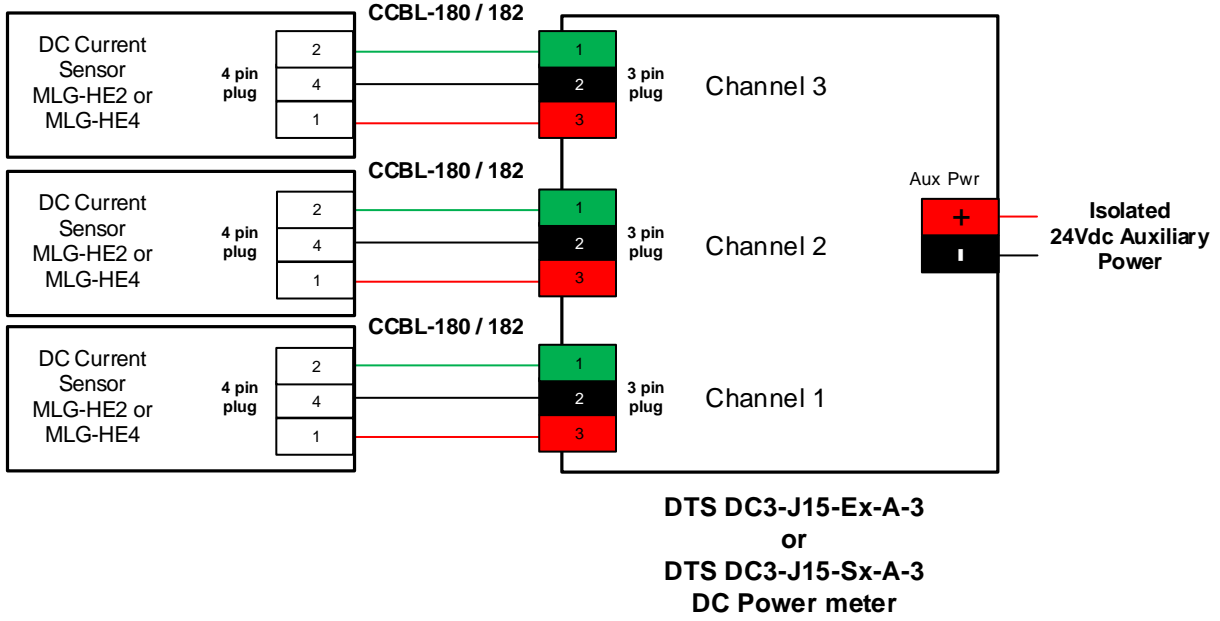
Drawing:		
1500Vdc DC Voltage and up to 3 x 4-20mA HEx Model Hall Effect Current Sensor connections to DTS DC3 meter		
Project:		
Generic project – 3 channel 1500Vdc DTS DC3 connection diagram		
Date:	Drawn By:	
08/13/2024	JDR	
Drawing No:	Rev:	Sheet:
M081324	1.0	1 / 2



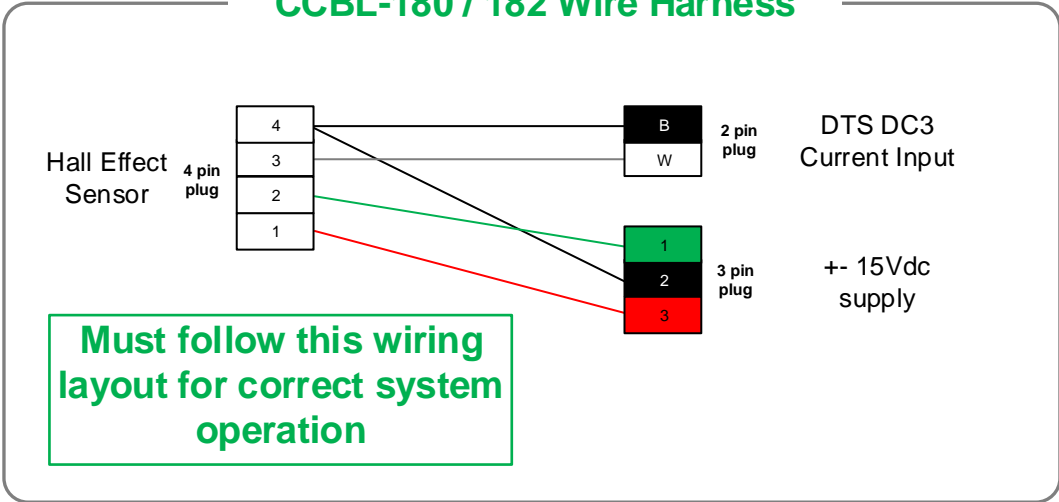
Measurlogic Inc.
7268 S. Tucson Way
Centennial, CO, 80112 USA
1 877 777 6567 www.measurlogic.com

Revisions			
Rev.	Description	Date	Initial

Drawing shows all 3 current sensors in use.
Connect power to 1 – 3 current sensors depending on loads to be measured



CCBL-180 / 182 Wire Harness



Drawing:
24Vdc Auxiliary power connections to DTS DC and +/-15Vdc supply to HE2 or HE4 Hall effect sensors

Project:
Generic – 3 channel 1500Vdc DTS DC connection diagram

Date:
08/13/2024

Drawn By:
JDR

Drawing No:
M081324

Rev:
1.0

Sheet:
2 / 2

Measurlogic Inc.
7268 S. Tucson Way
Centennial, CO, 80112 USA
1 877 777 6567 www.measurlogic.com