

| Revisions | | | |
|-----------|-------------|------|---------|
| Rev. | Description | Date | Initial |
| | | | |

Connect Voltage Terminal "C" at the shunt as shown

LOAD



+
-
SOURCE
Up To
1000Vdc

WARNING
Failure to install the shunt in the same conductor that is connected to voltage terminal "C" (as shown) on the meter WILL result in severe damage to the meter

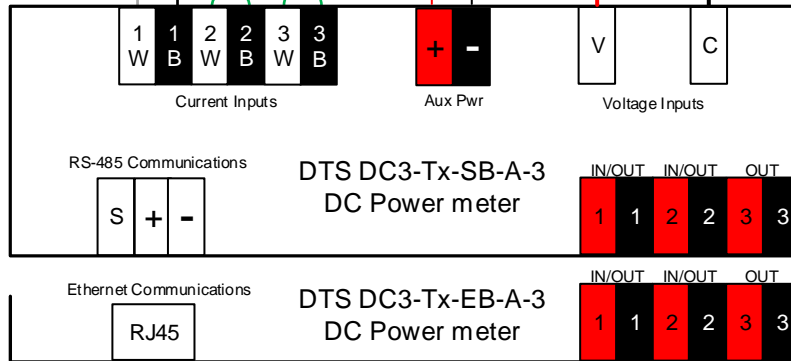
Use Input 1 if only one load is to be measured
(short W-B terminals together on Inputs 2 and 3 if not used)

Twist shunt output conductors (1 twist per inch)

24Vdc

Sign of Readings

| | |
|---------|-----|
| Voltage | +ve |
| Current | +ve |
| Power | +ve |
| Energy | +ve |



Drawing:
Positive DC Voltage and shunt Current connections to DTS DC3 meter
60Vdc – 1000Vdc models

Project:
Generic – DTS DC3 with shunt connection diagram

Date: 01/24/2025
Drawn By: JDR

Drawing No: M011625B
Rev: 1.0
Sheet: 1 / 1


Measurlogic Inc.
7268 S. Tucson Way
Centennial, CO, 80112 USA
1 877 777 6567 www.measurlogic.com