

MLG-WRT SERIES

ROGOWSKI COIL CURRENT TRANSFORMERS

**DTS
SERIES**

✓ COMPATIBLE

FEATURES

The MLG-WRT series of Rogowski Coil CTs have a wide selection of apertures from 4"-22", the widest in the industry. With our custom winding techniques, the MLG-WRT Series CTs are very accurate/linear over a broad range of CT primary currents. Their construction has a protected flexible UV jacket and sealed against tough environments making them suitable for rugged industrial applications. Install with confidence from "A Made in America" design, quality and assembly!



MECHANICAL

Window Size (min-max)	Ø4" - Ø22" [Ø10.16cm-Ø55.88cm]
Wire Leads	6 ft [1.8m] 24AWG black/red twisted UL2586 105°C 600V
Operating Temperature	-15°C to 80°C (90% Rel. Hum.)
Altitude	6,600ft [2012m]
Weight	Varied by model
Features	Glove friendly grip, twisted lock & tag

ELECTRICAL

Primary Input (max.)	30,000A AC Sine-wave 50/60Hz
With DTS meters	1000A for MLG-WRT-4:350 & -6:350 models
(direct connect to meter)	2500A for MLG-WRT-6:140 & -8:140 models 5000A for MLG-WRT-8:070 & -12:070 models
Secondary Output @60Hz	
MLG-WRT-4:350 & -6:350	350mV per 1kA AC
MLG-WRT-6:140 & -8:140	140mV per 1kA AC
MLG-WRT-8:070 & -12:070	70mV per 1kA AC
Accuracy (primary conductor position dependent)	0.75% (typical)
Linearity	10% - 120%
Polarity	Red (X1-Hi), Black (X2-Low)
Phase Direction	Arrow points toward Load
Load Frequency	20-400Hz

REGULATORY STANDARDS

Voltage Rating	600V AC Insulation
Construction	UL94V-0 flame retardant plastic CATIV, Pollution Degree 3
ETL listing #	5017504
Standards	UL2808, ANSI C57.13 & IEC61010-1 CSA C22.2 61010-1-12 & CE Mark

INSTALLATION

For indoor use only. Turn off power source before working on CTs. Observe X1X2 polarity and read manufacturer's instructions of the equipment you are connecting to CTs for proper installation guide. professional installations required for safe handling and operation.

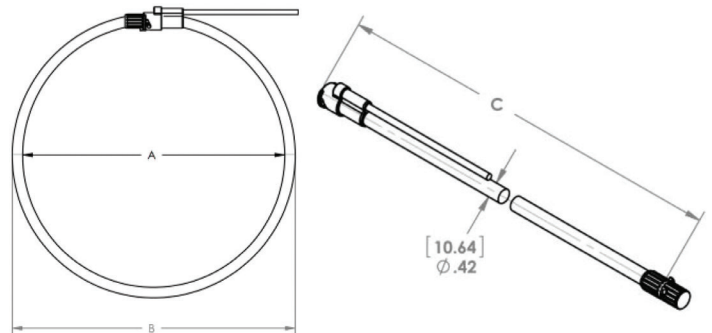
MODELS

Model	Secondary Output @60Hz*	Accuracy**
MLG-WRT-4:350	350mV / 1kA (Max. 1000A)	0.75
MLG-WRT-6:350	350mV / 1kA (Max. 1000A)	0.75
MLG-WRT-6:140	140mV / 1kA (Max. 2500A)	0.75
MLG-WRT-8:140	140mV / 1kA (Max. 2500A)	0.75
MLG-WRT-8:070	70mV / 1kA (Max. 5000A)	0.75
MLG-WRT-12:070	70mV / 1kA (Max. 5000A)	0.75

*Custom outputs available

**Primary Conductor position dependent

DIAGRAMS (cm)



Model*	Part Number	Coil ID (A)	Coil OD (B)
MLG-WRT-4:350	CTRF-0442	4.0"	4.8"
MLG-WRT-6:350	CTRF-0444	6.0"	6.8"
MLG-WRT-6:140	CTRF-0436	6.0"	6.8"
MLG-WRT-8:140	CTRF-0446	8.0"	8.8"
MLG-WRT-8:070	CTRF-0438	8.0"	8.8"
MLG-WRT-12:070	CTRF-0440	12.0"	12.8"

*Normally stocked values shown in **BOLD**

R25B

MEASURLOGIC

Toll-Free: 1-877-777-6567 . Phone: 303-805-5252 . Email: info@measurlogic.com