

DTS Display

REMOTE DISPLAY FOR DTS 305 OR DTS DC3 ENERGY SUB-METER



FEATURES

- Interfaces with DTS 305 power meter or DTS DC3 DC meter
- Connects via a 3 foot cable with pluggable terminals (Custom lengths available)
- Front Panel mounting & Portable option
- Large backlit LCD display
- Portable version available:
 - 7ft cable with plug (Custom lengths available)
 - NEMA 4 weather proof enclosure

SPECIFICATIONS

Interface:

Type: RS-232
Protocol: Proprietary

Power supply:

Voltage: 100-277 Vac/dc, 12 or 24 or 48 Vdc
Can also be powered by attached DTS 305/ DC3 meter
Tolerance: -10%, +10%
Frequency: 50/60 Hz for AC supply models only
Burden: 2VA
Operating temp: -4° to 131°F (-20° to 55°C)
Storage temp: -22° to 176°F (-30° to 80°C)
Humidity : 5 to 75% R.H. non-condensing

Mechanical:

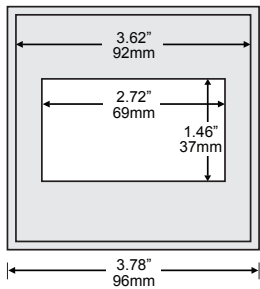
	Front Panel	Portable
Mounting Cutout:	3.62 x 3.62" (92 x 92mm)	N/A
Connection:	— Pluggable terminals —	
Case Material:	— Self-extinguishable, V0 plastic —	
Protection:	NEMA 4 - front panel	NEMA 4
Dimensions:	3.78"H x 3.78"W x 2.6"D	5.12"H x 5.12"W x 3.15"D
	96 x 96 x 66mm	130 x 130 x 80mm
Weight:	0.75 lbs (0.35 kg)	1.1 lbs (0.5kg)

Display:

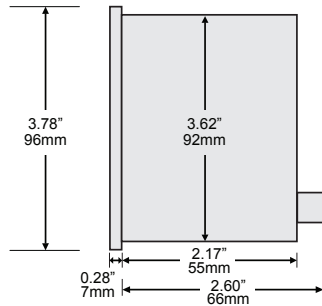
Resolution: 128x64 pixels
Backlight: Yes

DIMENSIONS

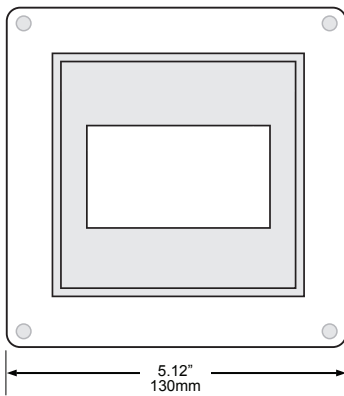
Front View



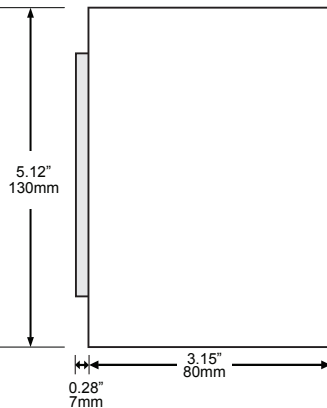
Side View



Portable Front View



Portable Side View



MODEL NUMBER BUILDER*

DTS D 3 - 01 - **a** - **b**

Auxiliary Power

a: 0 = Powered from attached DTS meter
N = 100 - 277 Vac
2 = 48 Vdc
3 = 24 Vdc
4 = 12 Vdc

Mounting

b: **Blank:** Front Panel
P = Portable Version

Distributor:

* Model dependent
Technical details subject to change